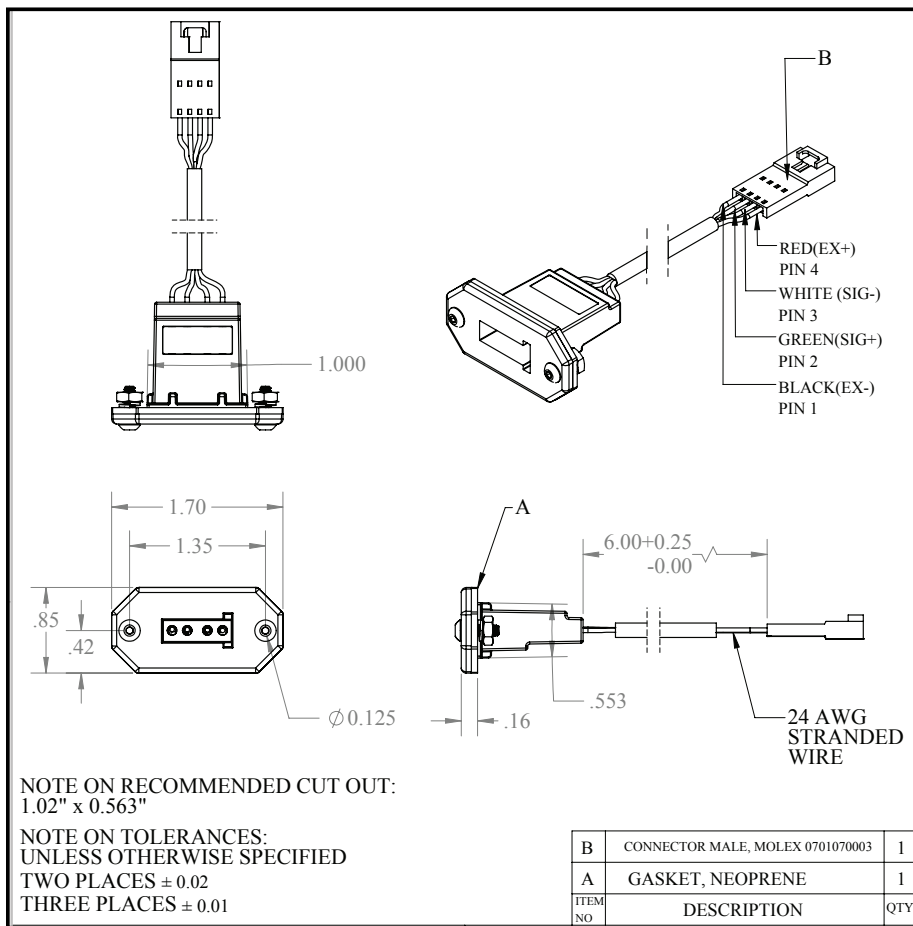


BULK-HEAD CONNECTOR

For panel mount connection of PendoTECH® Pressure & Conductivity Sensors



PDKT-650-298BH included accessories

- (1) Neoprene gasket
- (1) Mating connector (Molex 0050579404)
- (4) Crimp sockets for mating connector (Molex 0016020096)
- Mounting hardware (screws and nuts)

CONNECTIONS		
Pin	Pressure Sensor	Conductivity Sensor
1 (Black)	EX. -	Temp. -
2 (Green)	SIG. +	COND. Low
3 (White)	SIG. -	COND. High
4 (Red)	Ex. +	Temp. +

Ordering Information

PDKT-650-298BH	Bulkhead connector for panel mount connection of PendoTECH Pressure & Conductivity Sensors
PDKT-298BH-3M	Extension cable for PDKT-650-298BH bulkhead connector, 3m, flying leads

PendoTECH® is a registered trademark of PendoTECH, all rights reserved.
For warranty information see our website at <http://www.pendotech.com/warranty>